

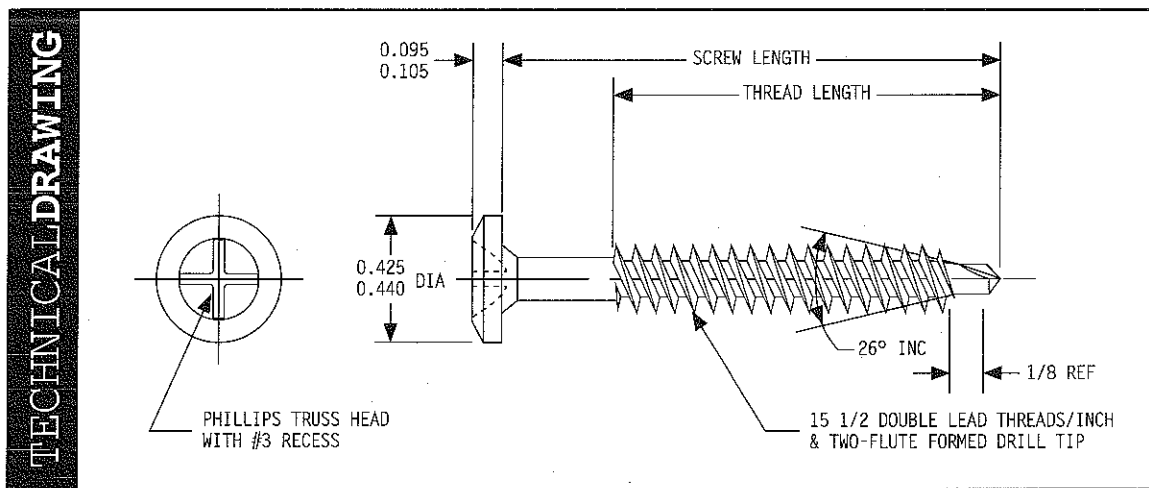


TECHNICAL

DATA

DP Drill Point Fastener

- **Corrosion Protection:** TRU-Kote™ coating (black) meets or exceeds FM4470 corrosion standards and withstands 40 cycles of the Kesternich DIN 50018 SFW 2.0 test.
- **Back-out Resistance - tapered wedge entry:** Exclusive TRUFAST TAPERED ENTRY action wedges the screw tightly into the deck providing back-out resistance. Typical back-out steel deck (18 ga. through 24 ga.) 10 - 14 in lbs.
- **Uses:** Predominately steel (16 ga. - 22 ga.). Also Factory Mutual approved for wood decks.

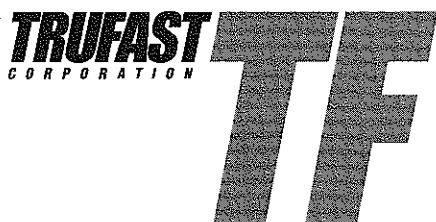


| Part No. | Screw Length* | Thread Length* | Pieces/Box | Weight/Box |
|----------|---------------|----------------|------------|------------|
| DP-1625 | 1 5/8 | FULL | 1000 | 12# |
| DP-2250 | 2 1/4 | FULL | 1000 | 16# |
| DP-2875 | 2 7/8 | FULL | 1000 | 19# |
| DP-3250 | 3 1/4 | 2 7/8 | 1000 | 22# |
| DP-3750 | 3 3/4 | 2 7/8 | 1000 | 25# |
| DP-4500 | 4 1/2 | 4 | 1000 | 30# |
| DP-5000 | 5 | 4 | 1000 | 32# |
| DP-6000 | 6 | 4 | 1000 | 38# |
| DP-7000 | 7 | 4 | 1000 | 42# |
| DP-8000 | 8 | 4 | 1000 | 48# |

| Pull-out Values in Steel |
|--------------------------|
| 18 Ga. - 558 lbs. |
| 20 Ga. - 456 lbs. |
| 22 Ga. - 452 lbs. |
| 24 Ga. - 335 lbs. |

Note: All tests were conducted by an independent testing laboratory. Results of these tests are offered only as a guide and are not guaranteed in any way by TRUFAST CORPORATION. Designated holding values depend on the quality of materials being anchored to. TRUFAST CORPORATION recommends that pull-out tests be conducted to verify that the substrate provides adequate pull-out values.

* Screw length = ± 1/16"
Thread length = ± 1/16"



TRUFAST CORPORATION

02105 Williams Cty. Rd. 12-C
Bryan, Ohio 43506-9804

1-800-443-9602 • 419-636-6715 • Fax: 419-636-1784

WebSite: www.trufast.com • E-mail: trufast@bright.net

Subject to the condition of Approval as a roofing component when installed as shown in the current edition of the Factory Mutual Research Approval Guide



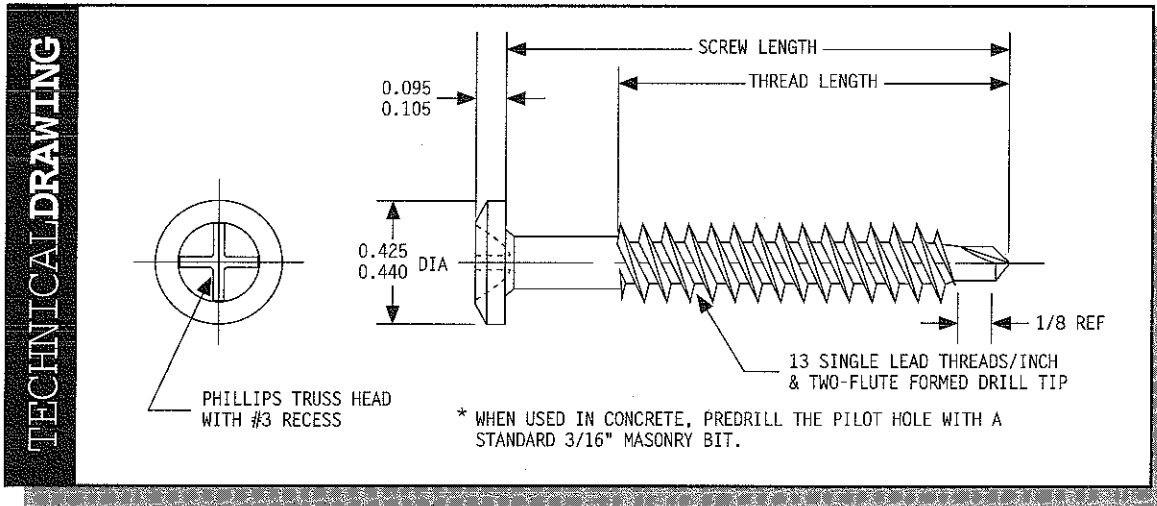


TECHNICAL

DATA

HD Heavy Duty Fastener

- **Corrosion Protection:** TRU-Kote™ PC-3 coating exceeds FM4470 corrosion standards and withstands 30 cycles of the Kesternich DIN 50018 SFW 2.0 test.
- **Uses:** Steel, wood and concrete.



| Part No. | Screw Length | Thread Length* | Pieces/Box | Weight/Box |
|----------|--------------|----------------|------------|------------|
| HD-1500 | 1 1/2 | FULL | 1000 | 14# |
| HD-2000 | 2 | FULL | 1000 | 18# |
| HD-3000 | 3 | FULL | 1000 | 26# |
| HD-4000 | 4 | 3 7/8 | 1000 | 31# |
| HD-5000 | 5 | 3 7/8 | 1000 | 42# |
| HD-6000 | 6 | 3 7/8 | 1000 | 47# |
| HD-7000 | 7 | 3 7/8 | 500 | 27# |
| HD-8000 | 8 | 3 7/8 | 500 | 30# |
| HD-9000 | 9 | 3 7/8 | 500 | 34# |
| HD-10000 | 10 | 3 7/8 | 500 | 38# |
| HD-11000 | 11 | 3 7/8 | 500 | 43# |
| HD-12000 | 12 | 3 7/8 | 500 | 45# |

* Screw length = ± 1/16"
Thread length = ± 1/16"

| Pull-out Values in Steel | Reverse Back-out Torque |
|--------------------------|-------------------------|
| 18 Ga. - 830 lbs. | 25 inch/lb. |
| 20 Ga. - 656 lbs. | 25.5 inch/lb. |
| 22 Ga. - 472 lbs. | 20 inch/lb. |
| 24 Ga. - 347 lbs. | 17 inch/lb. |

| Pull-out Values in Concrete | Shear Strength |
|--|--|
| 3000PSI Concrete 1" Embedment - 740 lbs. | 3000PSI Concrete 1" Embedment - 586 lbs. |

Note: All tests were conducted by an independent testing laboratory. Results of these tests are offered only as a guide and are not guaranteed in any way by TRUFAST CORPORATION. Designated holding values depend on the quality of materials being anchored to. TRUFAST CORPORATION recommends that pull-out tests be conducted to verify that the substrate provides adequate pull-out values. When used in concrete, a safety factor of 4:1 or 25% of ultimate pull-out value is generally accepted as a safe workload. Performance of HD (Heavy Duty) Drill Point Fasteners will vary in different concrete aggregates.

| Pull-out Values in Wood |
|-------------------------|
| 1/2" Plywood-442 lbs. |
| 3/4" Plywood-495 lbs. |
| Wood Plank |
| 1" Embedment-517 lbs. |



TRUFAST CORPORATION

02105 Williams Cty. Rd. 12-C
Bryan, Ohio 43506-9804

1-800-443-9602 • 419-636-6715 • Fax: 419-636-1784

Website: www.trufast.com • E-mail: trufast@bright.net

Subject to the condition of Approval as a roofing component when installed as shown in the current edition of the Factory Mutual Research Approval Guide





TECHNICAL

DATA

#14 HD Stainless Steel Drill Point Fastener

- **Alloy:** Stainless steel (TrimRite®) UNS 42010. The alloy used in HD Drill Point Stainless Steel Fasteners is generically called 14Cr-1ni-1mo. (14% Chrome - 1% Nickel - 1% Molybdenum).

Compositional requirements meet ASTM 493 alloy S42010.

TrimRite® stainless is balanced to be fully martensitic in the hardened condition and is magnetic in all conditions.

- **Corrosion Resistance:** ASTM-B117 - 95°F 5% salt (NACI) for 200 hours.

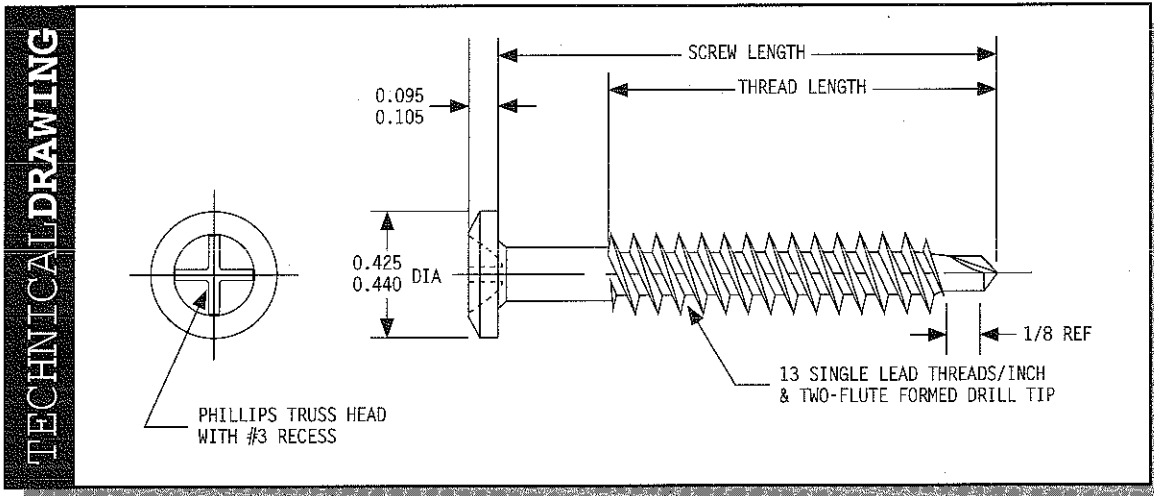
ASTMB368 (cass test) copper acidified salt spray
(light staining allowed) 22 hours.

Kesternich - DIN 50018 SFW 2.0S 30 cycles

- **Drilling Capability:** RC 50-52 Hardness Self drilling point

Factory Mutual Systems Approved: JI-1H2Ao.AM, JI-0J9A1.AM, JI-1G1A6.AM. 18 ga. - 20 ga. - 22 ga. metal decks, wood decks and reroof steel decks.

- **Uses:** Predominately steel (18 ga. - 22 ga.). Also Factory Mutual approved for wood decks.



TRUFast CORPORATION

02105 Williams Cty. Rd. 12-C
Bryan, Ohio 43506-9804

1-800-443-9602 • 419-636-6715 • Fax: 419-636-1784

WebSite: www.trufast.com • E-mail: trufast@bright.net

Subject to the condition of Approval as a roofing component when installed as shown in the current edition of the Factory Mutual Research Approval Guide



APPROVED

METRO-DADE

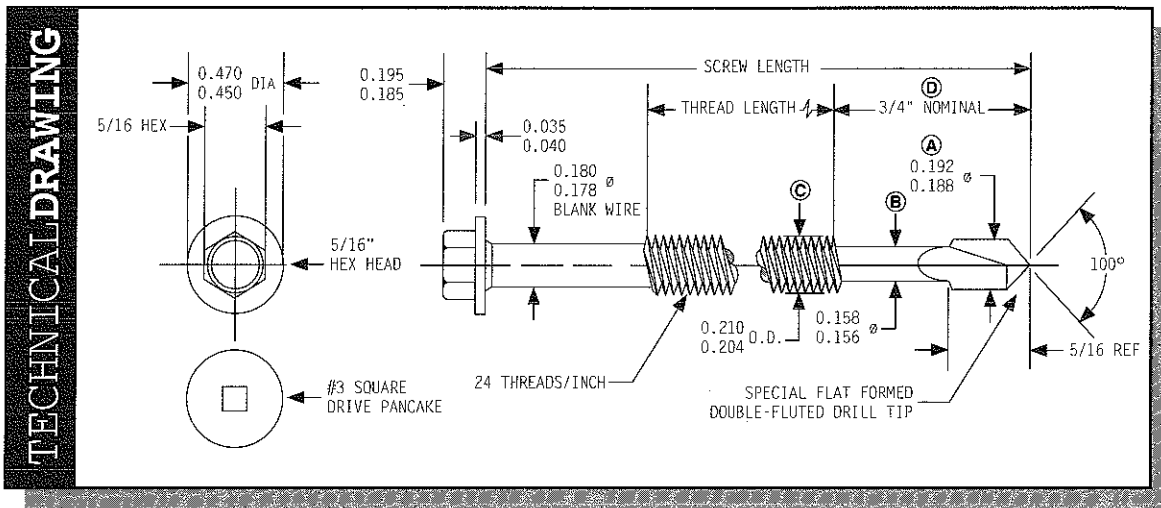


TECHNICAL

DATA

Purlin Fastener

- **Corrosion Protection:** TRU-Kote™ coating (black) meets and exceeds FM4470 corrosion standards and withstands 40 cycles of the Kesternich DIN 50018 SFW 2.0 test.
- **Uses:** Predominately steel up to 3/16" thick.
- **Note:** Use with no higher than 1800 RPM screwgun



- A:** To allow for chip removal, the drill point is .030 larger than the diameter of B.
- B:** B's diameter is smaller than both A and C, allowing thick metal to be drilled and cleared of chips before threads tap into metal.
- C:** There are 24 threads per inch which allow for easier driving of the fastener. Higher pull-out values are also recorded because of the increased thread contact.
- D:** This represents approximately 3/4" overall.

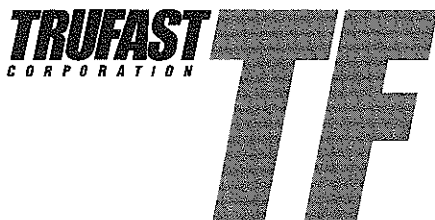
| Part No. | Screw Length* | Usable Length* | Thread Length* | Pieces/Box | Weight/Box |
|----------|---------------|----------------|----------------|------------|------------|
| PF-1375 | 1 3/8 | 3/4" | 3/4 | 1000 | 16# |
| PF-2750 | 2 3/4 | 2" | 2 | 1000 | 26# |
| PF-3750 | 3 3/4 | 3" | 2 5/8 | 1000 | 34# |
| PF-4750 | 4 3/4 | 4" | 2 5/8 | 1000 | 40# |
| PF-5750 | 5 3/4 | 5" | 2 5/8 | 1000 | 48# |
| PF-6750 | 6 3/4 | 6" | 2 5/8 | 1000 | 54# |
| PF-7750 | 7 3/4 | 7" | 2 5/8 | 1000 | 62# |

| Pull-out Values in Steel |
|---------------------------|
| 3/16" thick - 2000 lbs.** |
| 12 Ga. - 1200 lbs. |
| 16 Ga. - 500 lbs. |
| 18 Ga. - 375 lbs. |

** Tester's maximum reading is 2000 lbs.

Note: Results of these tests are offered only as a guide and are not guaranteed in any way by TRUFast CORPORATION. Designated holding values depend on the quality of materials being anchored to. TRUFast CORPORATION recommends that pull-out tests be conducted to verify that the substrate provides adequate pull-out values.

* Screw length = ± 1/16"
 Thread length = ± 1/16"
 Usable length = ± 1/16"



TRUFast CORPORATION

02105 Williams Cty. Rd. 12-C
 Bryan, Ohio 43506-9804

1-800-443-9602 • 419-636-6715 • Fax: 419-636-1784

WebSite: www.trufast.com • E-mail: trufast@bright.net



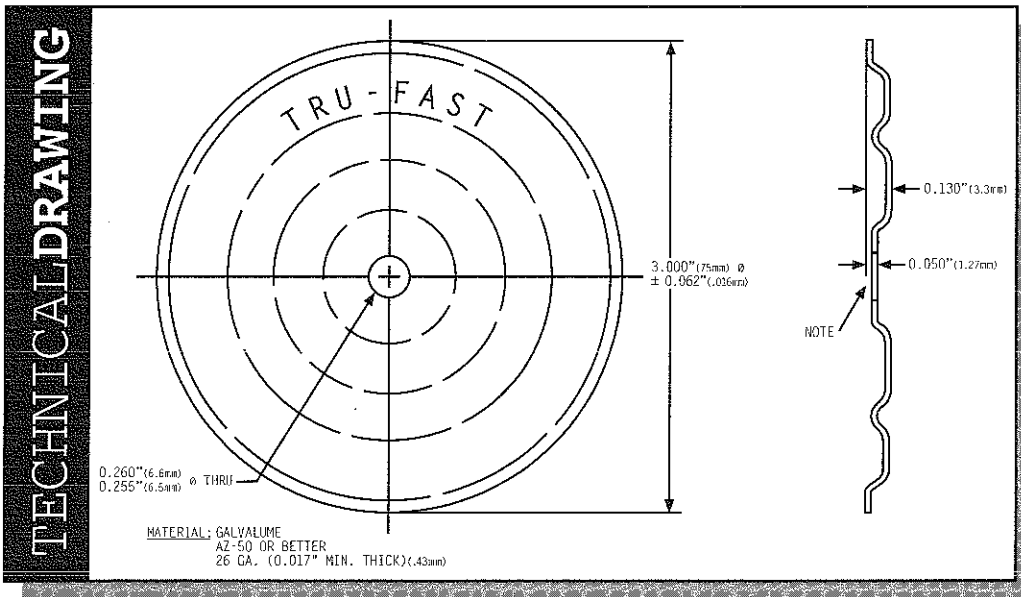
TECHNICAL

DATA

MP-3 Metal Stress Plate

- **Testing:** Meets or exceeds Factory Mutual I-60 or I-90 wind up lift specifications when properly installed on most insulation boards.
- **Feature:** Plate is formed from 26 gauge Galvalume™ steel.
- **Recommended:** It is recommended for use with Phillips Truss Head fastener.
- **Uses:** They are used with virtually all types of insulation board used for roofing systems.

Galvalume is a trademark of BIEC International, Inc.



| Part No. | Pieces/Box | Weight/Box |
|----------|------------|------------|
| MP-3 | 1000 | 40# (18kg) |

| Stress Plate Selection Guide | | | | | | | |
|------------------------------|----------------|---------------------|----------------------|-------------------|-----------------|-----------------------|---------------|
| STRESS PLATE TYPE | ROOFING SYSTEM | | | | | | |
| | BUR | SINGLE PLY | | | | | |
| | | Adhered Hot Asphalt | Loose Laid Ballasted | Partially Adhered | Totally Adhered | Mechanically Attached | Torch Applied |
| METAL | ✓ | ✓ | ✓ | ✓ | ✓ | ✓ | ✓ |



TRUFAST CORPORATION

02105 Williams Cty. Rd. 12-C
 Bryan, Ohio 43506-9804

1-800-443-9602 • 419-636-6715 • Fax: 419-636-1784

WebSite: www.trufast.com • E-mail: trufast@bright.net

Subject to the condition of Approval as a roofing component when installed as shown in the current edition of the Factory Mutual Research Approval Guide





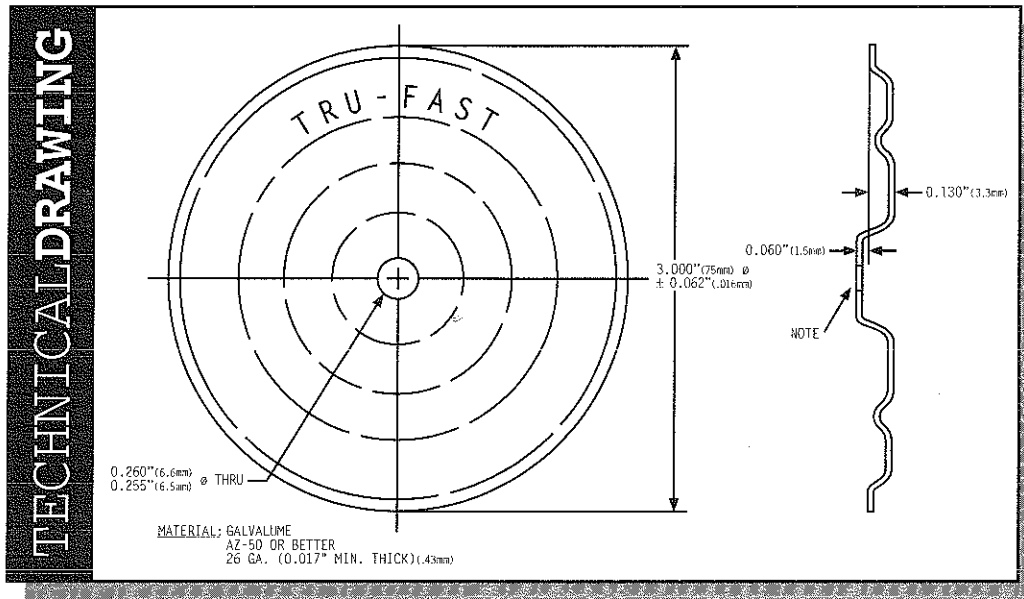
TECHNICAL

DATA

MPH-3 Metal Stress Plate

- **Testing:** Meets or exceeds Factory Mutual I-60 or I-90 wind up lift specifications when properly installed on most insulation boards.
- **Feature:** Plate is formed from 26 gauge Galvalume™ steel.
- **Recommended:** It is recommended for use with Phillips Truss or 1/4" Hex Head fastener.
- **Uses:** They are used with virtually all types of insulation board used for roofing systems.

Galvalume is a trademark of BIEC International, Inc.



| Part No. | Pieces/Box | Weight/Box |
|----------|------------|------------|
| MPH-3 | 1000 | 40# (18kg) |

| Stress Plate Selection Guide | | | | | | | |
|------------------------------|-----|---------------------|----------------------|-------------------|-----------------|-----------------------|---------------|
| STRESS PLATE TYPE | BUR | ROOFING SYSTEM | | | | | |
| | | SINGLE PLY | | | | | |
| | | Adhered Hot Asphalt | Loose Laid Ballasted | Partially Adhered | Totally Adhered | Mechanically Attached | Torch Applied |
| METAL | ✓ | ✓ | ✓ | ✓ | ✓ | ✓ | ✓ |



TRUFast CORPORATION

02105 Williams Cty. Rd. 12-C
Bryan, Ohio 43506-9804

1-800-443-9602 • 419-636-6715 • Fax: 419-636-1784

WebSite: www.trufast.com • E-mail: trufast@bright.net

Subject to the condition of Approval as a roofing component when installed as shown in the current edition of the Factory Mutual Research Approval Guide

