

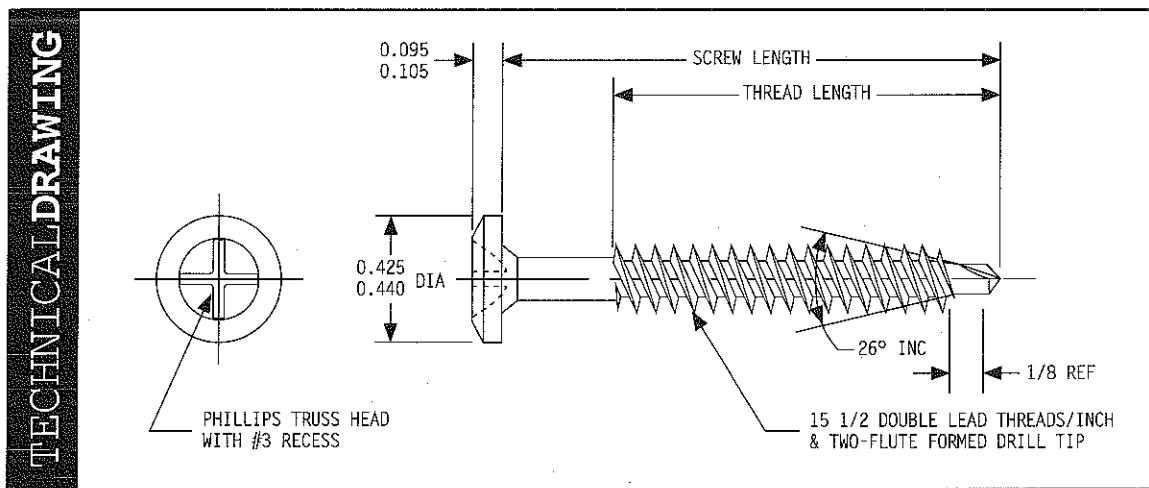


# TECHNICAL

# DATA

## DP Drill Point Fastener

- **Corrosion Protection:** TRU-Kote™ coating (black) meets or exceeds FM4470 corrosion standards and withstands 40 cycles of the Kesternich DIN 50018 SFW 2.0 test.
- **Back-out Resistance - tapered wedge entry:** Exclusive TRUFAST TAPERED ENTRY action wedges the screw tightly into the deck providing back-out resistance. Typical back-out steel deck (18 ga. through 24 ga.) 10 - 14 in lbs.
- **Uses:** Predominately steel (16 ga. - 22 ga.). Also Factory Mutual approved for wood decks.

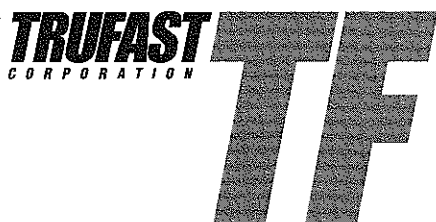


Part No.	Screw Length*	Thread Length*	Pieces/Box	Weight/Box
DP-1625	1 5/8	FULL	1000	12#
DP-2250	2 1/4	FULL	1000	16#
DP-2875	2 7/8	FULL	1000	19#
DP-3250	3 1/4	2 7/8	1000	22#
DP-3750	3 3/4	2 7/8	1000	25#
DP-4500	4 1/2	4	1000	30#
DP-5000	5	4	1000	32#
DP-6000	6	4	1000	38#
DP-7000	7	4	1000	42#
DP-8000	8	4	1000	48#

Pull-out Values in Steel
18 Ga. - 558 lbs.
20 Ga. - 456 lbs.
22 Ga. - 452 lbs.
24 Ga. - 335 lbs.

**Note:** All tests were conducted by an independent testing laboratory. Results of these tests are offered only as a guide and are not guaranteed in any way by TRUFAST CORPORATION. Designated holding values depend on the quality of materials being anchored to. TRUFAST CORPORATION recommends that pull-out tests be conducted to verify that the substrate provides adequate pull-out values.

\* Screw length = ± 1/16"  
Thread length = ± 1/16"



### TRUFAST CORPORATION

02105 Williams Cty. Rd. 12-C  
Bryan, Ohio 43506-9804

1-800-443-9602 • 419-636-6715 • Fax: 419-636-1784

WebSite: [www.trufast.com](http://www.trufast.com) • E-mail: [trufast@bright.net](mailto:trufast@bright.net)

Subject to the condition of Approval as a roofing component when installed as shown in the current edition of the Factory Mutual Research Approval Guide



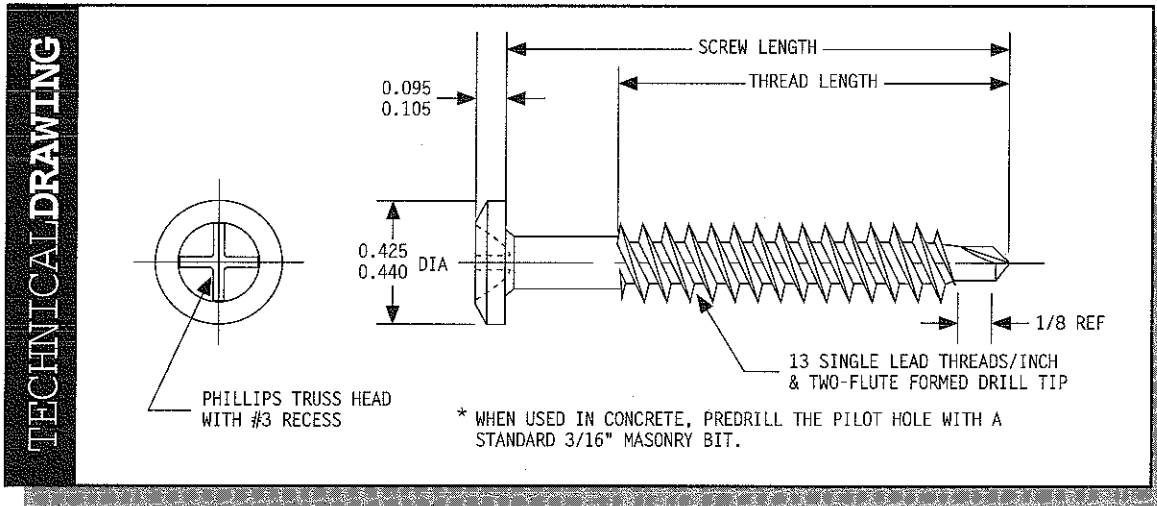


# TECHNICAL

# DATA

## HD Heavy Duty Fastener

- **Corrosion Protection:** TRU-Kote™ PC-3 coating exceeds FM4470 corrosion standards and withstands 30 cycles of the Kesternich DIN 50018 SFW 2.0 test.
- **Uses:** Steel, wood and concrete.



Part No.	Screw Length	Thread Length*	Pieces/Box	Weight/Box
HD-1500	1 1/2	FULL	1000	14#
HD-2000	2	FULL	1000	18#
HD-3000	3	FULL	1000	26#
HD-4000	4	3 7/8	1000	31#
HD-5000	5	3 7/8	1000	42#
HD-6000	6	3 7/8	1000	47#
HD-7000	7	3 7/8	500	27#
HD-8000	8	3 7/8	500	30#
HD-9000	9	3 7/8	500	34#
HD-10000	10	3 7/8	500	38#
HD-11000	11	3 7/8	500	43#
HD-12000	12	3 7/8	500	45#

\* Screw length = ± 1/16"  
Thread length = ± 1/16"

Pull-out Values in Steel	Reverse Back-out Torque
18 Ga. - 830 lbs.	25 inch/lb.
20 Ga. - 656 lbs.	25.5 inch/lb.
22 Ga. - 472 lbs.	20 inch/lb.
24 Ga. - 347 lbs.	17 inch/lb.

Pull-out Values in Concrete	Shear Strength
3000PSI Concrete 1" Embedment - 740 lbs.	3000PSI Concrete 1" Embedment - 586 lbs.

**Note:** All tests were conducted by an independent testing laboratory. Results of these tests are offered only as a guide and are not guaranteed in any way by TRUFAST CORPORATION. Designated holding values depend on the quality of materials being anchored to. TRUFAST CORPORATION recommends that pull-out tests be conducted to verify that the substrate provides adequate pull-out values. When used in concrete, a safety factor of 4:1 or 25% of ultimate pull-out value is generally accepted as a safe workload. Performance of HD (Heavy Duty) Drill Point Fasteners will vary in different concrete aggregates.

Pull-out Values in Wood
1/2" Plywood-442 lbs.
3/4" Plywood-495 lbs.
Wood Plank
1" Embedment-517 lbs.



### TRUFAST CORPORATION

02105 Williams Cty. Rd. 12-C  
Bryan, Ohio 43506-9804

1-800-443-9602 • 419-636-6715 • Fax: 419-636-1784

Website: [www.trufast.com](http://www.trufast.com) • E-mail: [trufast@bright.net](mailto:trufast@bright.net)

Subject to the condition of Approval as a roofing component when installed as shown in the current edition of the Factory Mutual Research Approval Guide





# TECHNICAL

# DATA

## #14 HD Stainless Steel Drill Point Fastener

- **Alloy:** Stainless steel (TrimRite®) UNS 42010. The alloy used in HD Drill Point Stainless Steel Fasteners is generically called 14Cr-1ni-1mo. (14% Chrome - 1% Nickel - 1% Molybdenum).

Compositional requirements meet ASTM 493 alloy S42010.

TrimRite® stainless is balanced to be fully martensitic in the hardened condition and is magnetic in all conditions.

- **Corrosion Resistance:** ASTM-B117 - 95°F 5% salt (NACI) for 200 hours.

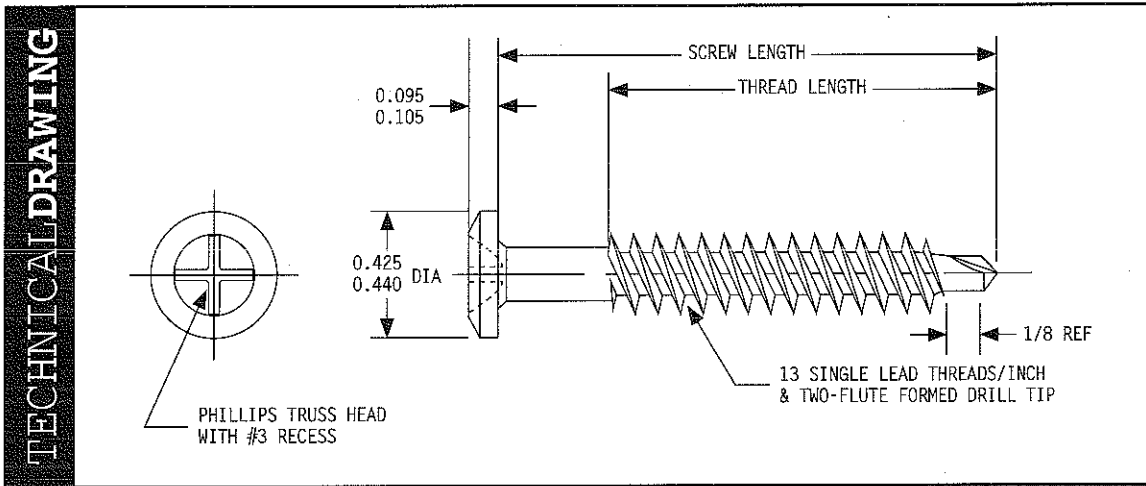
ASTMB368 (cass test) copper acidified salt spray  
(light staining allowed) 22 hours.

Kesternich - DIN 50018 SFW 2.0S 30 cycles

- **Drilling Capability:** RC 50-52 Hardness Self drilling point

Factory Mutual Systems Approved: JI-1H2Ao.AM, JI-0J9A1.AM, JI-1G1A6.AM. 18 ga. - 20 ga. - 22 ga. metal decks, wood decks and reroof steel decks.

- **Uses:** Predominately steel (18 ga. - 22 ga.). Also Factory Mutual approved for wood decks.



### TRUFast CORPORATION

02105 Williams Cty. Rd. 12-C  
Bryan, Ohio 43506-9804

1-800-443-9602 • 419-636-6715 • Fax: 419-636-1784

WebSite: [www.trufast.com](http://www.trufast.com) • E-mail: [trufast@bright.net](mailto:trufast@bright.net)

Subject to the condition of Approval as a roofing component when installed as shown in the current edition of the Factory Mutual Research Approval Guide



APPROVED

METRO-DADE

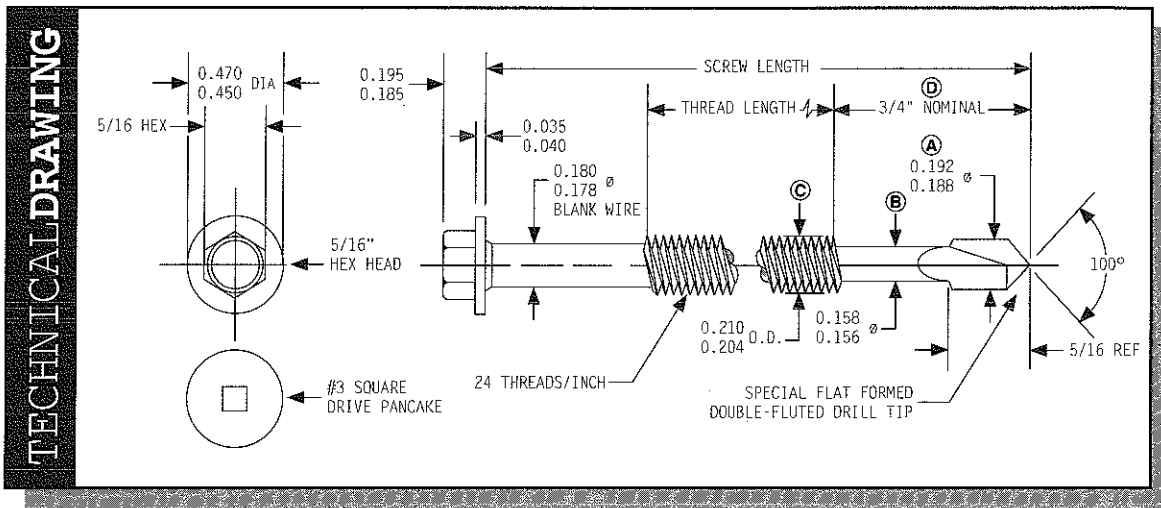


# TECHNICAL

# DATA

## Purlin Fastener

- **Corrosion Protection:** TRU-Kote™ coating (black) meets and exceeds FM4470 corrosion standards and withstands 40 cycles of the Kesternich DIN 50018 SFW 2.0 test.
- **Uses:** Predominately steel up to 3/16" thick.
- **Note:** Use with no higher than 1800 RPM screwgun



- A:** To allow for chip removal, the drill point is .030 larger than the diameter of B.
- B:** B's diameter is smaller than both A and C, allowing thick metal to be drilled and cleared of chips before threads tap into metal.
- C:** There are 24 threads per inch which allow for easier driving of the fastener. Higher pull-out values are also recorded because of the increased thread contact.
- D:** This represents approximately 3/4" overall.

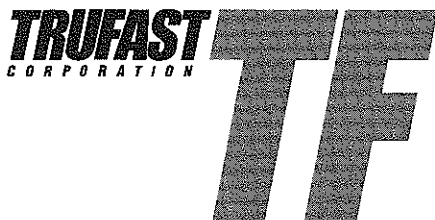
Part No.	Screw Length*	Usable Length*	Thread Length*	Pieces/Box	Weight/Box
PF-1375	1 3/8	3/4"	3/4	1000	16#
PF-2750	2 3/4	2"	2	1000	26#
PF-3750	3 3/4	3"	2 5/8	1000	34#
PF-4750	4 3/4	4"	2 5/8	1000	40#
PF-5750	5 3/4	5"	2 5/8	1000	48#
PF-6750	6 3/4	6"	2 5/8	1000	54#
PF-7750	7 3/4	7"	2 5/8	1000	62#

Pull-out Values in Steel
3/16" thick - 2000 lbs.**
12 Ga. - 1200 lbs.
16 Ga. - 500 lbs.
18 Ga. - 375 lbs.

\*\* Tester's maximum reading is 2000 lbs.

**Note:** Results of these tests are offered only as a guide and are not guaranteed in any way by TRUFast CORPORATION. Designated holding values depend on the quality of materials being anchored to. TRUFast CORPORATION recommends that pull-out tests be conducted to verify that the substrate provides adequate pull-out values.

\* Screw length = ± 1/16"  
 Thread length = ± 1/16"  
 Usable length = ± 1/16"



### TRUFast CORPORATION

02105 Williams Cty. Rd. 12-C  
 Bryan, Ohio 43506-9804

1-800-443-9602 • 419-636-6715 • Fax: 419-636-1784

WebSite: [www.trufast.com](http://www.trufast.com) • E-mail: [trufast@bright.net](mailto:trufast@bright.net)



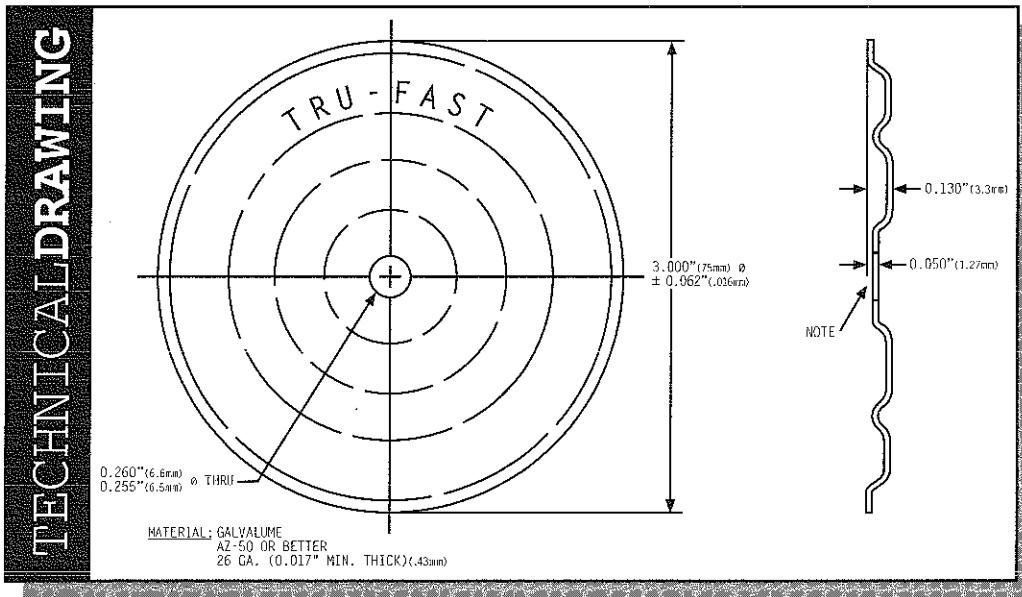
# TECHNICAL

# DATA

## MP-3 Metal Stress Plate

- **Testing:** Meets or exceeds Factory Mutual I-60 or I-90 wind up lift specifications when properly installed on most insulation boards.
- **Feature:** Plate is formed from 26 gauge Galvalume™ steel.
- **Recommended:** It is recommended for use with Phillips Truss Head fastener.
- **Uses:** They are used with virtually all types of insulation board used for roofing systems.

Galvalume is a trademark of BIEC International, Inc.



Part No.	Pieces/Box	Weight/Box
MP-3	1000	40# (18kg)

Stress Plate Selection Guide							
STRESS PLATE TYPE	ROOFING SYSTEM						
	BUR	SINGLE PLY					
		Adhered Hot Asphalt	Loose Laid Ballasted	Partially Adhered	Totally Adhered	Mechanically Attached	Torch Applied
METAL	✓	✓	✓	✓	✓	✓	✓



### TRUFAST CORPORATION

02105 Williams Cty. Rd. 12-C  
Bryan, Ohio 43506-9804

1-800-443-9602 • 419-636-6715 • Fax: 419-636-1784

WebSite: [www.trufast.com](http://www.trufast.com) • E-mail: [trufast@bright.net](mailto:trufast@bright.net)

Subject to the condition of Approval as a roofing component when installed as shown in the current edition of the Factory Mutual Research Approval Guide





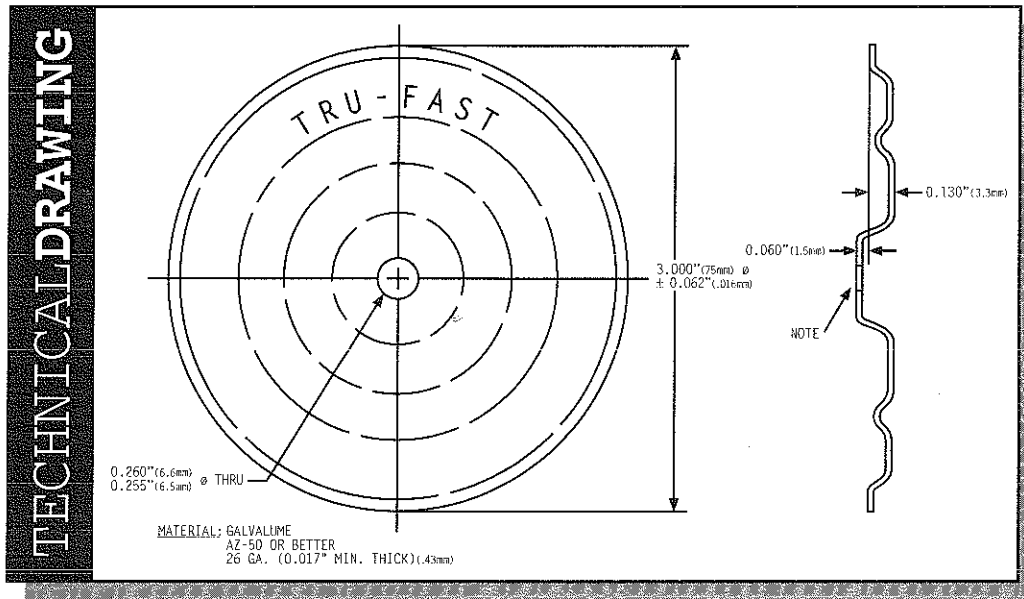
# TECHNICAL

# DATA

## MPH-3 Metal Stress Plate

- **Testing:** Meets or exceeds Factory Mutual I-60 or I-90 wind up lift specifications when properly installed on most insulation boards.
- **Feature:** Plate is formed from 26 gauge Galvalume™ steel.
- **Recommended:** It is recommended for use with Phillips Truss or 1/4" Hex Head fastener.
- **Uses:** They are used with virtually all types of insulation board used for roofing systems.

Galvalume is a trademark of BIEC International, Inc.



Part No.	Pieces/Box	Weight/Box
MPH-3	1000	40# (18kg)

Stress Plate Selection Guide							
STRESS PLATE TYPE	BUR	ROOFING SYSTEM					
		SINGLE PLY					
		Adhered Hot Asphalt	Loose Laid Ballasted	Partially Adhered	Totally Adhered	Mechanically Attached	Torch Applied
METAL	✓	✓	✓	✓	✓	✓	✓



### TRUFast CORPORATION

02105 Williams Cty. Rd. 12-C  
Bryan, Ohio 43506-9804

1-800-443-9602 • 419-636-6715 • Fax: 419-636-1784

WebSite: [www.trufast.com](http://www.trufast.com) • E-mail: [trufast@bright.net](mailto:trufast@bright.net)

Subject to the condition of Approval as a roofing component when installed as shown in the current edition of the Factory Mutual Research Approval Guide

